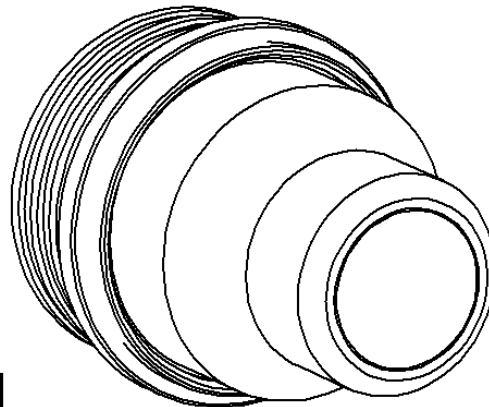
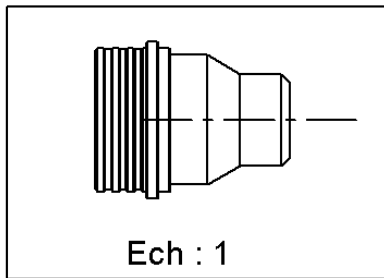
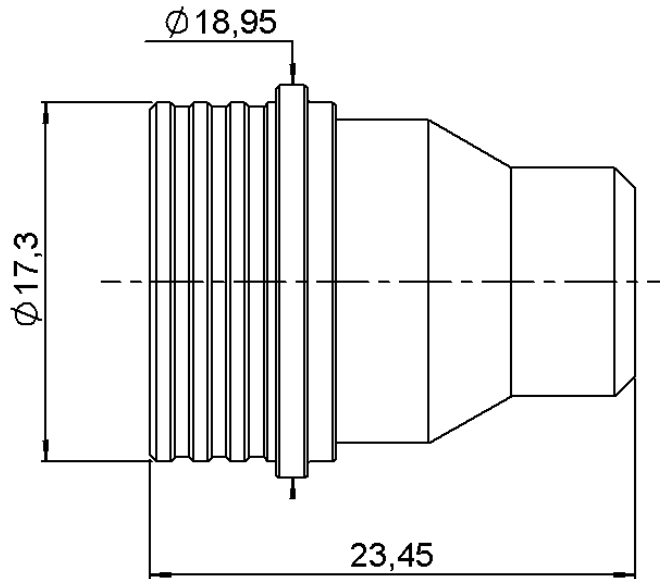


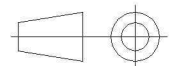
4 GHZ 1 W QN MALE TERMINATION

R404.116.000

Series : **CHARGE**



dimensions are in mm.



COMPONENTS	MATERIALS	PLATINGS (μm)
BODY	BRASS	BBR 2
CENTER CONTACT	BERYLLIUM COPPER	GOLD 1.27 OVER COPPER 2.5
OUTER CONTACT	BERYLLIUM COPPER	-
INSULATOR	PTFE	-
GASKET	EPDM,SILICONE RUBBER	-
OTHERS PARTS	-	-

Issue : 0830 D

In the effort to improve our products, we reserve the right to make changes judged to be necessary.



